



Model Number

NRN35-L3-E2-C-V1

Features

- Reduction factor = 1
- 35 mm non-flush
- Quick mounting bracket
- 4-way LED indicator
- Weld Immune

Accessories

MHW 01

Modular mounting bracket

MH 04-2681F

Mounting aid for VariKont, +U1+ and +U9*

V1-W

Female connector, M12, 4-pin, field attachable

V1-W-2M-PUR

Female cordset, M12, 4-pin, PUR cable

V1-G

Female connector, M12, 4-pin, field attachable

MH 02-L

Mounting aid

V1-G-2M-PUR

Female cordset, M12, 4-pin, PUR cable

Technical Data

General specifications

Switching element function		PNP	NO
Rated operating distance	s_n	35 mm	
Installation		non-flush	
Output polarity		switched high	
Assured operating distance	s_a	0 ... 28.35 mm	
Reduction factor r_{Al}		1	
Reduction factor r_{Cu}		1	
Reduction factor r_{304}		1	
Reduction factor r_{S37}		1	

Nominal ratings

Operating voltage	U_B	10 ... 30 V	
Switching frequency	f	0 ... 100 Hz	
Hysteresis	H	3 ... 15 %	
Reverse polarity protection		reverse polarity protected	
Short-circuit protection		pulsing	
Voltage drop	U_d	≤ 2.5 V	
Operating current	I_L	0 ... 200 mA	
Off-state current	I_r	0 ... 0.5 mA typ. 0.01 mA	
No-load supply current	I_0	≤ 25 mA	
Time delay before availability	t_v	80 ms	
Constant magnetic field	B	200 mT	
Alternating magnetic field	B	200 mT	
Operating voltage indicator		LED, green	
Switching state indicator		LED, yellow	

Functional safety related parameters

MTTF _d	1002 a
Mission Time (T _M)	20 a
Diagnostic Coverage (DC)	0 %

Ambient conditions

Ambient temperature	-25 ... 70 °C (-13 ... 158 °F)
Storage temperature	-40 ... 85 °C (-40 ... 185 °F)

Mechanical specifications

Connection type	Connector M12 x 1, 4-pin
Housing material	GD-ZnAl4Cu1, coated mounting flange PA6-GF35
Sensing face	PA 6 Grivory GVN-35H
Degree of protection	IP67
Mass	180 g

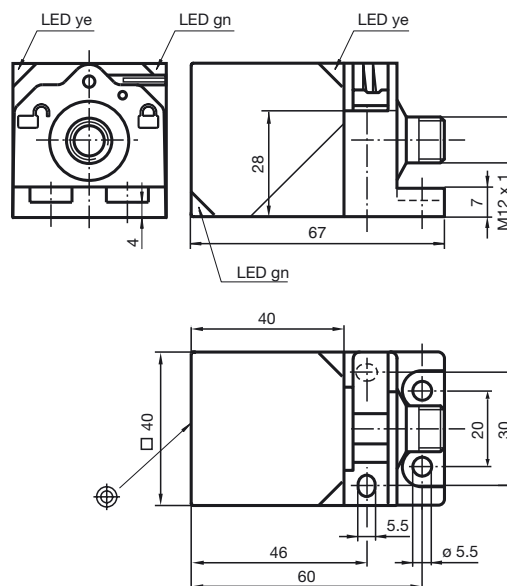
Compliance with standards and directives

Standard conformity	
Standards	EN 60947-5-2:2007 IEC 60947-5-2:2007

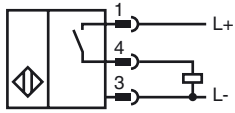
Approvals and certificates

Protection class	II
Rated insulation voltage	U_i 60 V
Design-impulse-voltage withstand	U_{imp} 800 V
UL approval	cULus Listed, General Purpose
CSA approval	cCSAus Listed, General Purpose
CCC approval	CCC approval / marking not required for products rated ≤36 V

Dimensions



Electrical Connection



Pinout



Wire colors in accordance with EN 60947-5-2

1		BN	(brown)
2		WH	(white)
3		BU	(blue)
4		BK	(black)